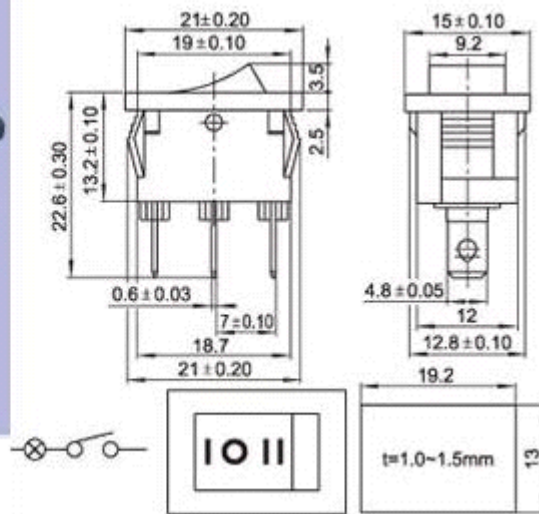
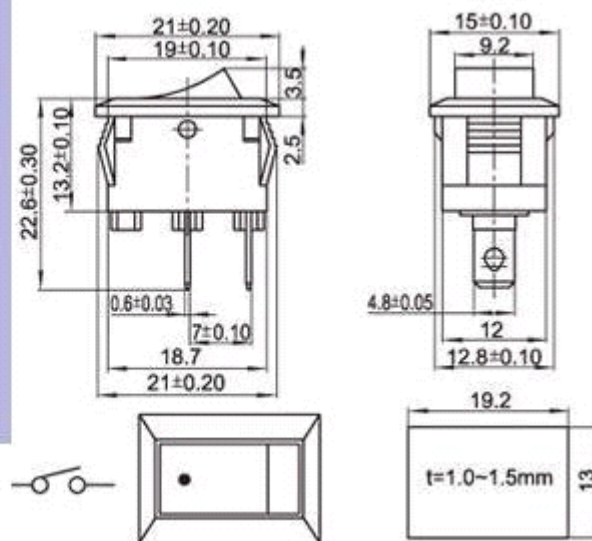


Rocker switch 2PINS ON/OFF



Rocker switch ,3 pins ,ON/OFF/ON



Rocker switch 2 pins ON/RESET