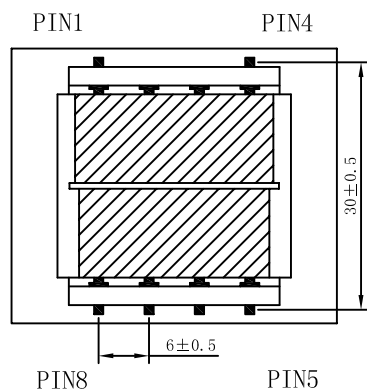
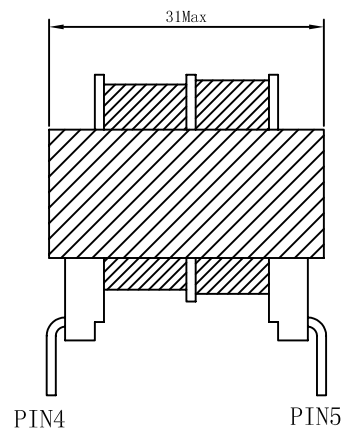
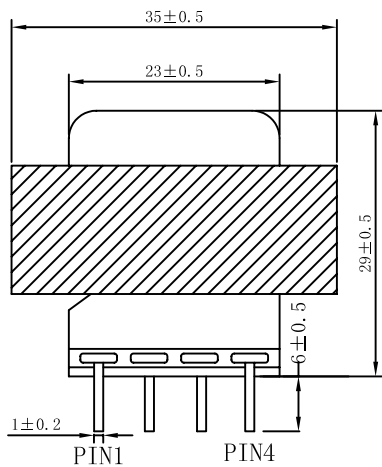


SPECIFICATION FOR APPROVAL

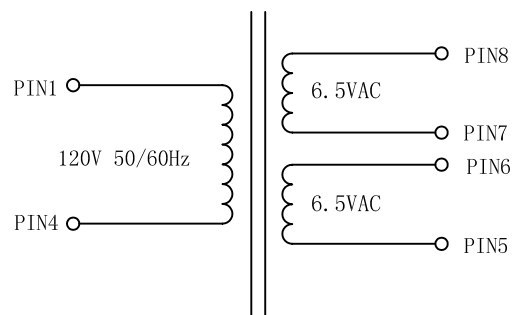
CUSTOMER	海高	CUSTOMER P/N	
ISSUE DATE	2008-9-9	OUT P/N	YF-DPEI3507-001

1. MECHANICAL DIMENSIONS:

UNIT: mm



2. SCHEMATIC:



APPROVED BY	CHECKED BY	REPORTED BY	
-------------	------------	-------------	--